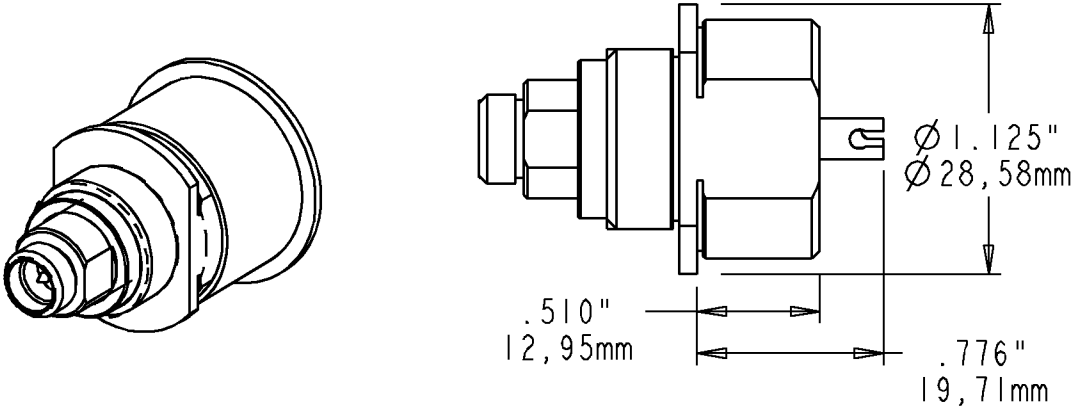
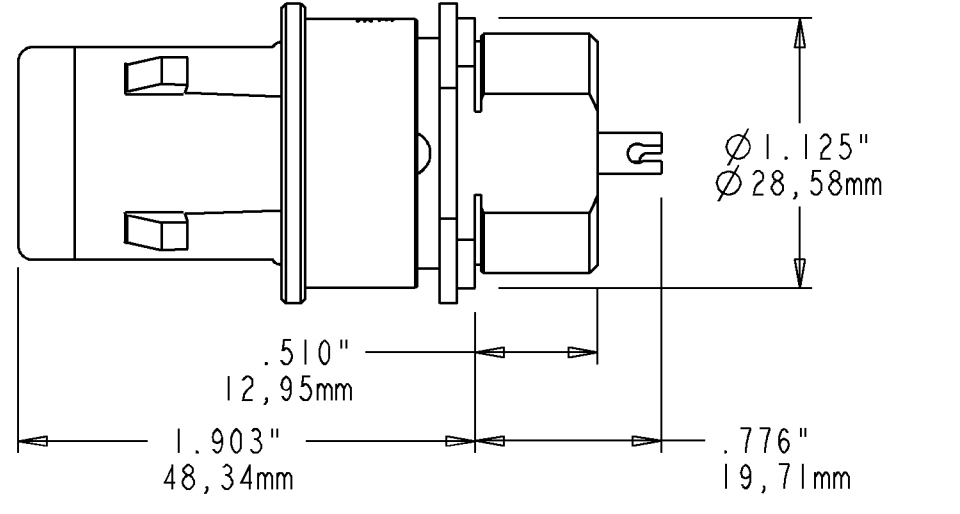
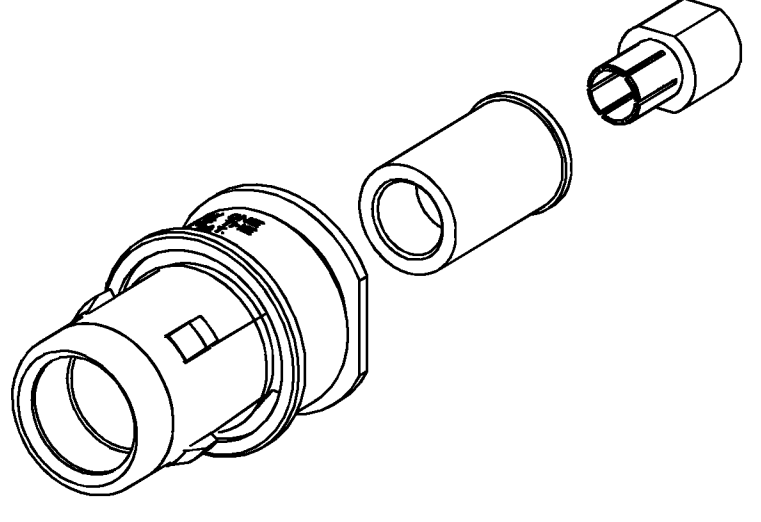
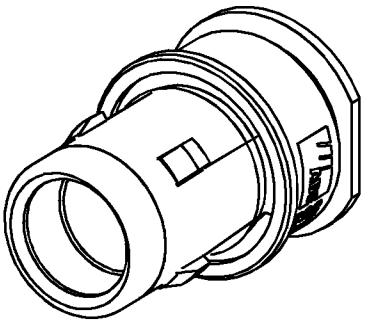
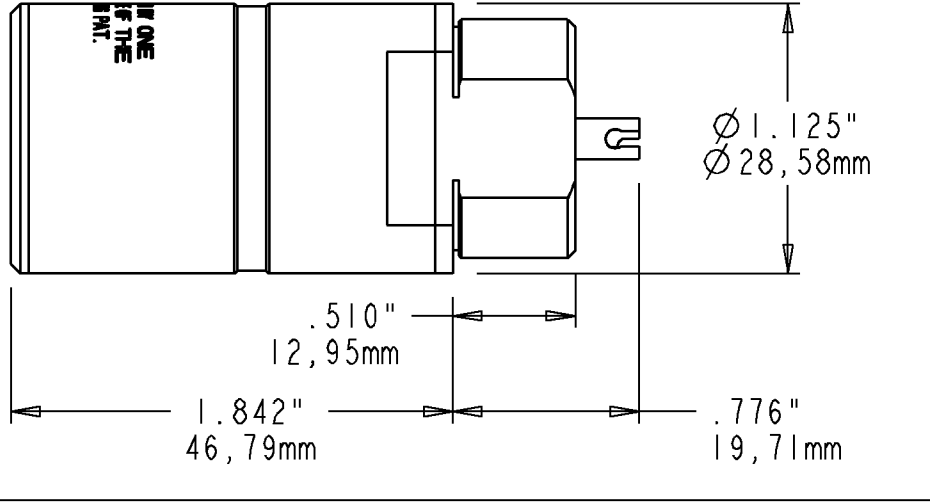
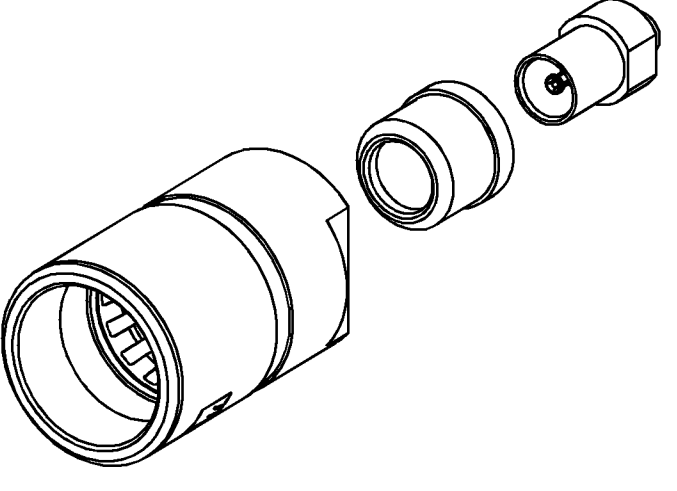
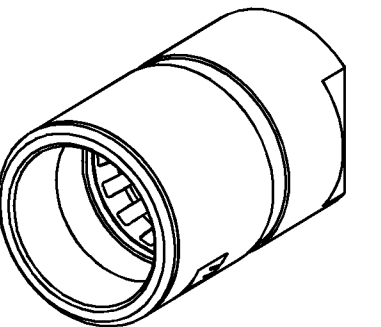


REV	MCO	DWN	DATE
E	20181121	DAT	07-MAR-06
F	20210613	JSY	07-FEB-07

UNIVERSAL REAR UNIT	
ADC CAT. #	TRK-RU-BH

TYPE	GENDER	TOP LEVEL ASSEMBLY	GENDER CHANGER KIT	FRONT SHELL REPAIR KIT
US	MALE (PLUG)			
	ADC CAT. #	TCP-BH	TRK-GCM-BH	TRK-MOS-BH
	FEMALE (JACK)			
	ADC CAT. #	TCJ-BH	TRK-GCF-BH	TRK-FOS-BH



INFORMATION ON THIS DOCUMENT IS PROPRIETARY TO ADC AND SHALL NOT BE USED, COPIED, REPRODUCED OR DISCLOSED IN WHOLE OR IN PART WITHOUT WRITTEN CONSENT OF ADC.
 ALL DIMS AND TOLERANCES ARE INCHES UNLESS OTHERWISE SPECIFIED
 .XX:±.02
 .XXX:±.010
 ANGULAR:±2°

TITLE: INSTALLATION DRAWING
 PROAX TRIAX CONNECTORS
 BULKHEAD / CAMERA-MOUNT
 DRAWING NUMBER: 1272638
 F REV

DO NOT SCALE DRAWING ENGR: A. KHEMAKHEM DWN: D. SAND SHT. 1 OF 5

DIMENSIONS IN INCHES
 THIRD ANGLE PROJECTION

A

B

C

D

TYPE	GENDER	TOP LEVEL ASSEMBLY	GENDER CHANGER KIT	FRONT SHELL REPAIR KIT
B-TYPE BBC	MALE (PLUG)			
	ADC CAT #	BTCP-BH-50 (OR 75)	BTRK-GCM-BH-50 (OR 75)	BTRK-MOS-BH
	FEMALE (JACK)			
ADC CAT #	BTCJ-BH-50 (OR 75)	BTRK-GCF-BH-50 (OR 75)	BTRK-FOS-BH	
N-TYPE REVERSE BBC	MALE (PLUG)			
	ADC CAT #	NTCP-BH-75 (OR 50)	NTRK-GCM-BH-75 (OR 50)	NTRK-MOS-BH
	FEMALE (JACK)			
ADC CAT #	NTCJ-BH-75 (OR 50)	NTRK-GCF-BH-75 (OR 50)	NTRK-FOS-BH	



INFORMATION ON THIS DOCUMENT IS PROPRIETARY TO ADC AND SHALL NOT BE USED, COPIED, REPRODUCED OR DISCLOSED IN WHOLE OR IN PART WITHOUT WRITTEN CONSENT OF ADC.
 ALL DIMS AND TOLERANCES .XX:±.02 ARE INCHES UNLESS OTHERWISE SPECIFIED ANGULAR:±2°

TITLE INSTALLATION DRAWING
 PROAX TRIAX CONNECTORS
 BULKHEAD / CAMERA-MOUNT

DO NOT SCALE DRAWING ENGR: A. KHEMAKHEM DWN: D. SAND
 C SIZE DRAWING NUMBER 1272638 F REV
 SHT. 2 OF 5

DIMENSIONS IN INCHES
 THIRD ANGLE PROJECTION

A

B

C

TYPE	GENDER	TOP LEVEL ASSEMBLY	GENDER CHANGER KIT	FRONT SHELL REPAIR KIT
L-TYPE FRENCH	MALE (PLUG)	<p>L-TYPE DESIGNATION</p>		
	ADC CAT #	LTCP-BH	LTRK-GCM-BH	LTRK-MOS-BH
	FEMALE (JACK)			
ADC CAT #	LTCJ-BH	LTRK-GCF-BH	LTRK-FOS-BH	
D-TYPE GERMAN	MALE (PLUG)			
	ADC CAT #	DTCP-BH	DTRK-GCM-BH	DTRK-MOS-BH
	FEMALE (JACK)			
ADC CAT #	DTCJ-BH	DTRK-GCF-BH	DTRK-FOS-BH	



INFORMATION ON THIS DOCUMENT IS PROPRIETARY TO ADC AND SHALL NOT BE USED, COPIED, REPRODUCED OR DISCLOSED IN WHOLE OR IN PART WITHOUT WRITTEN CONSENT OF ADC.

ALL DIMS AND TOLERANCES .XX:±.02 ARE INCHES UNLESS OTHERWISE SPECIFIED ANGULAR:±2°

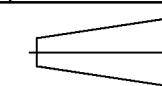
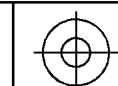
TITLE INSTALLATION DRAWING
PROAX TRIAX CONNECTORS
BULKHEAD / CAMERA-MOUNT

DRAWING NUMBER 1272638

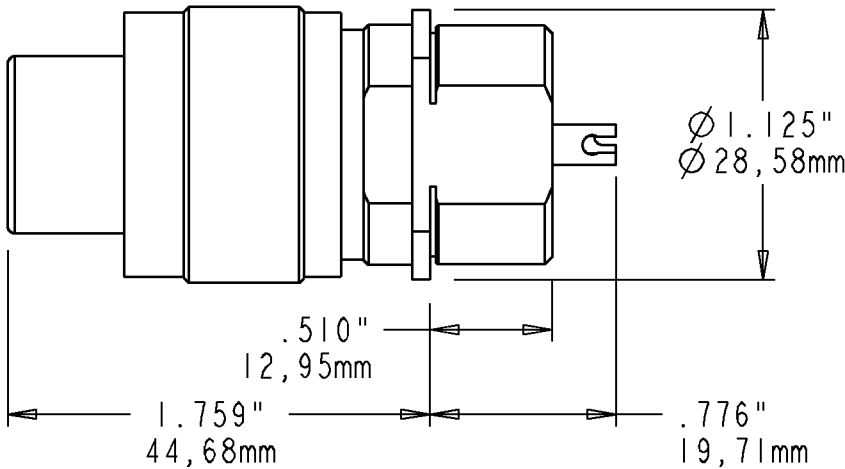
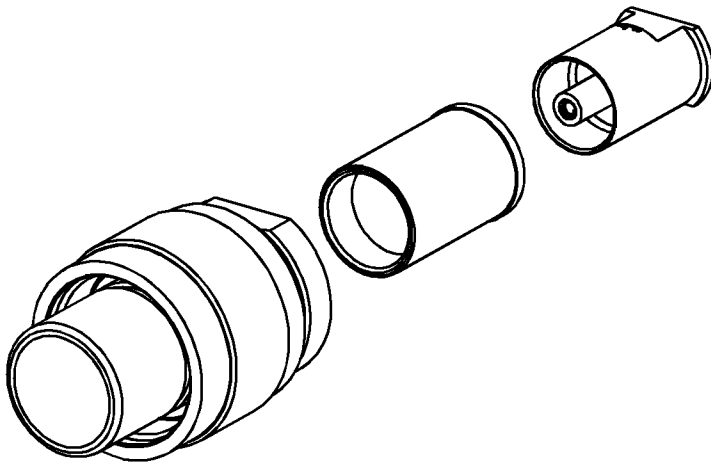
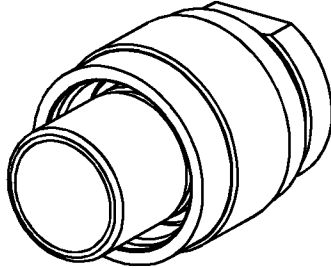
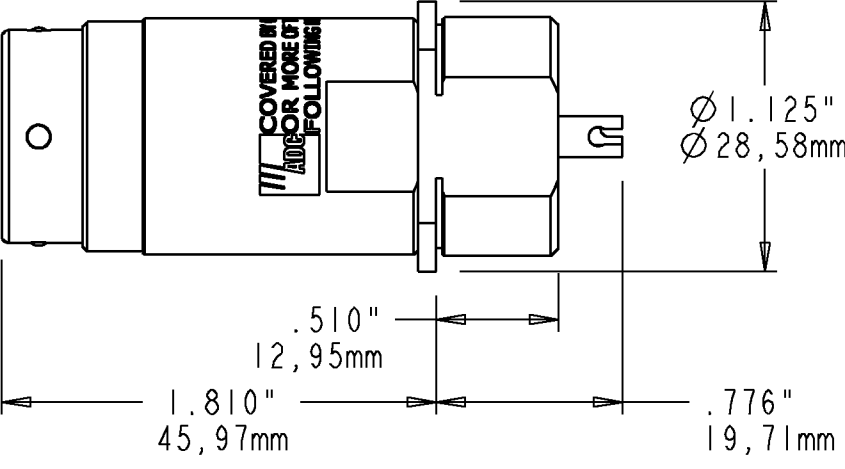
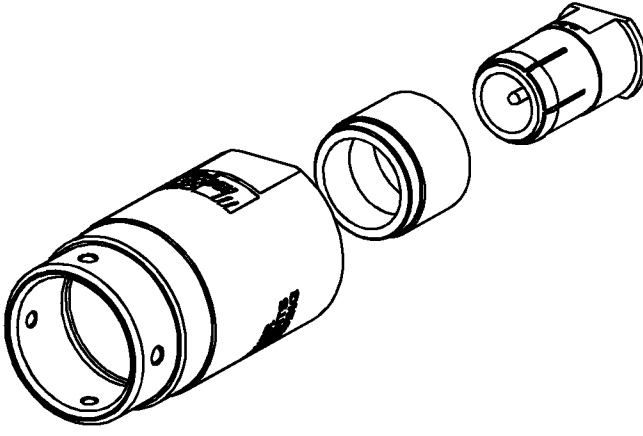
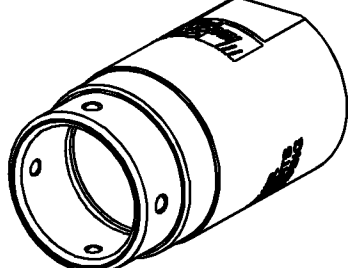
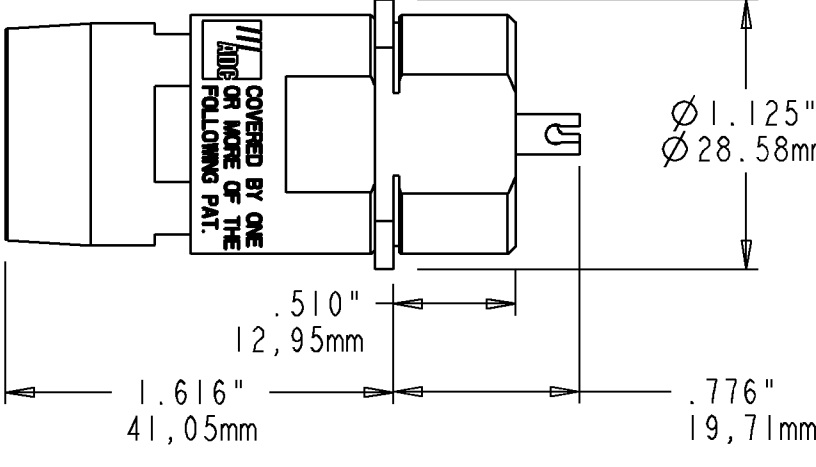
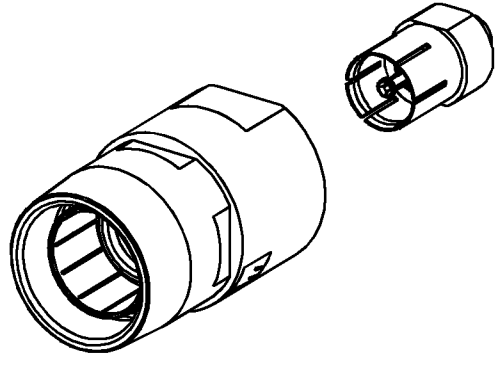
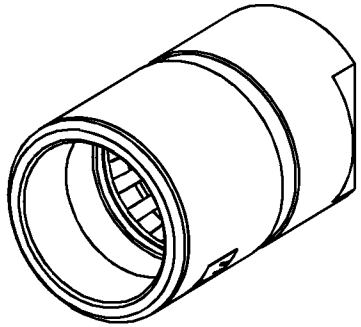
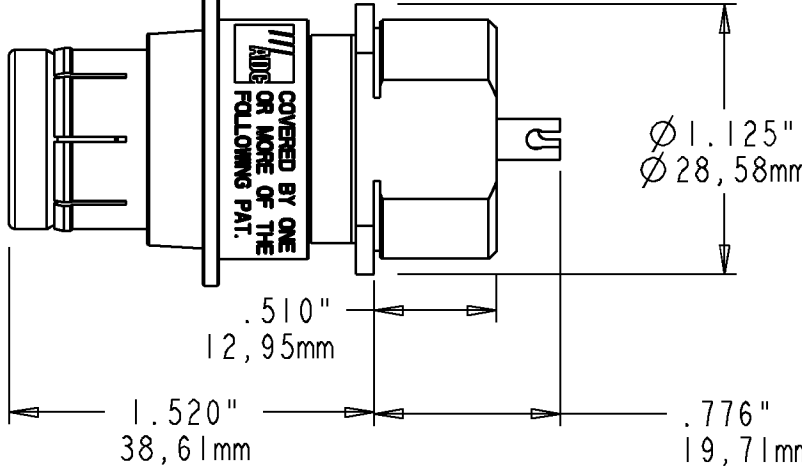
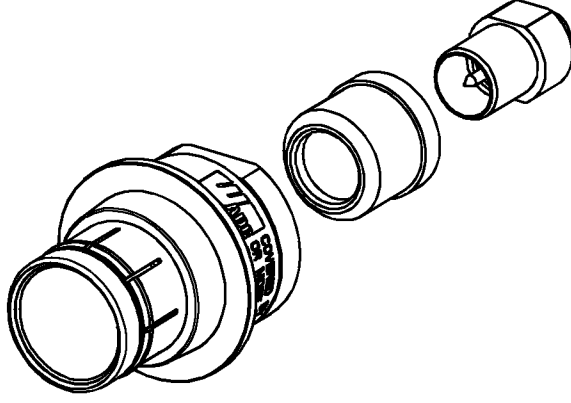
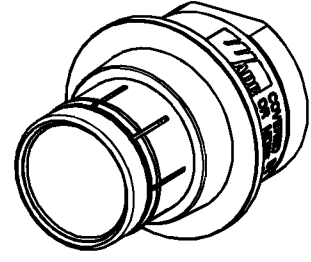
DO NOT SCALE DRAWING

ENGR: A. KHEMAKHEM
DWN: D. SAND

SHT. 3 OF 5



DIMENSIONS IN INCHES
THIRD ANGLE PROJECTION

TYPE	GENDER	TOP LEVEL ASSEMBLY	GENDER CHANGER KIT	FRONT SHELL REPAIR KIT
J-TYPE JAPANESE	FEMALE (PLUG)			
	ADC CAT #	JTCP-BH	JTRK-GCF-BH	JTRK-FOS-BH
J-TYPE JAPANESE	MALE (JACK)			
	ADC CAT #	JTCJ-BH	JTRK-GCM-BH	JTRK-MOS-BH
G-TYPE GLOBAL	FEMALE (JACK)			
	ADC CAT #	GTCJ-BH	GTRK-GCF-BH	GTRK-FOS-BH
G-TYPE GLOBAL	MALE (PLUG)			
	ADC CAT #	GTCP-BH	GTRK-GCM-BH	GTRK-MOS-BH



INFORMATION ON THIS DOCUMENT IS PROPRIETARY TO ADC AND SHALL NOT BE USED, COPIED, REPRODUCED OR DISCLOSED IN WHOLE OR IN PART WITHOUT WRITTEN CONSENT OF ADC.

ALL DIMS AND TOLERANCES .XX:±.02 ARE INCHES UNLESS OTHERWISE SPECIFIED ANGULAR:±2°

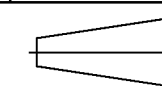
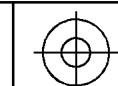
TITLE INSTALLATION DRAWING
PROAX TRIAX CONNECTORS
BULKHEAD / CAMERA-MOUNT

DRAWING NUMBER 1272638

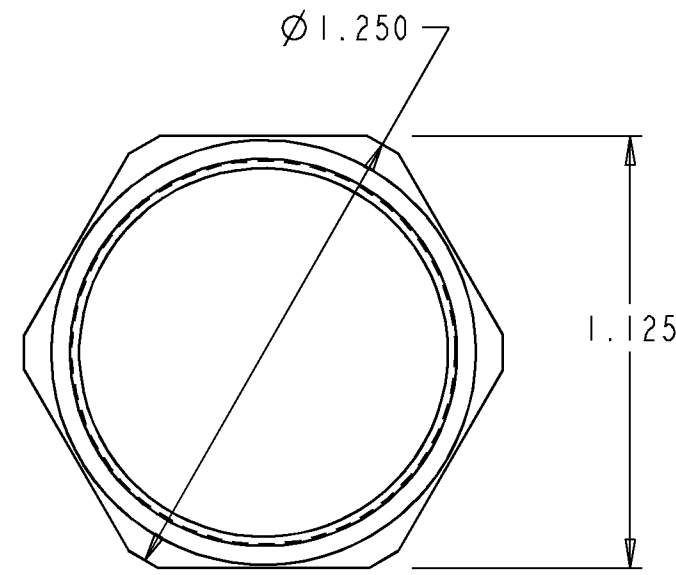
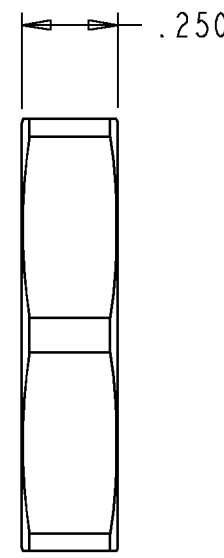
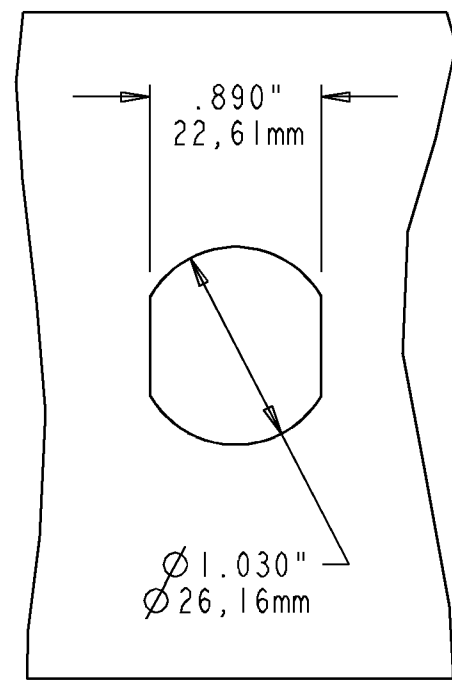
DO NOT SCALE DRAWING

ENGR: A. KHEMAKHEM
DWN: D. SAND

SHT. 4 OF 5



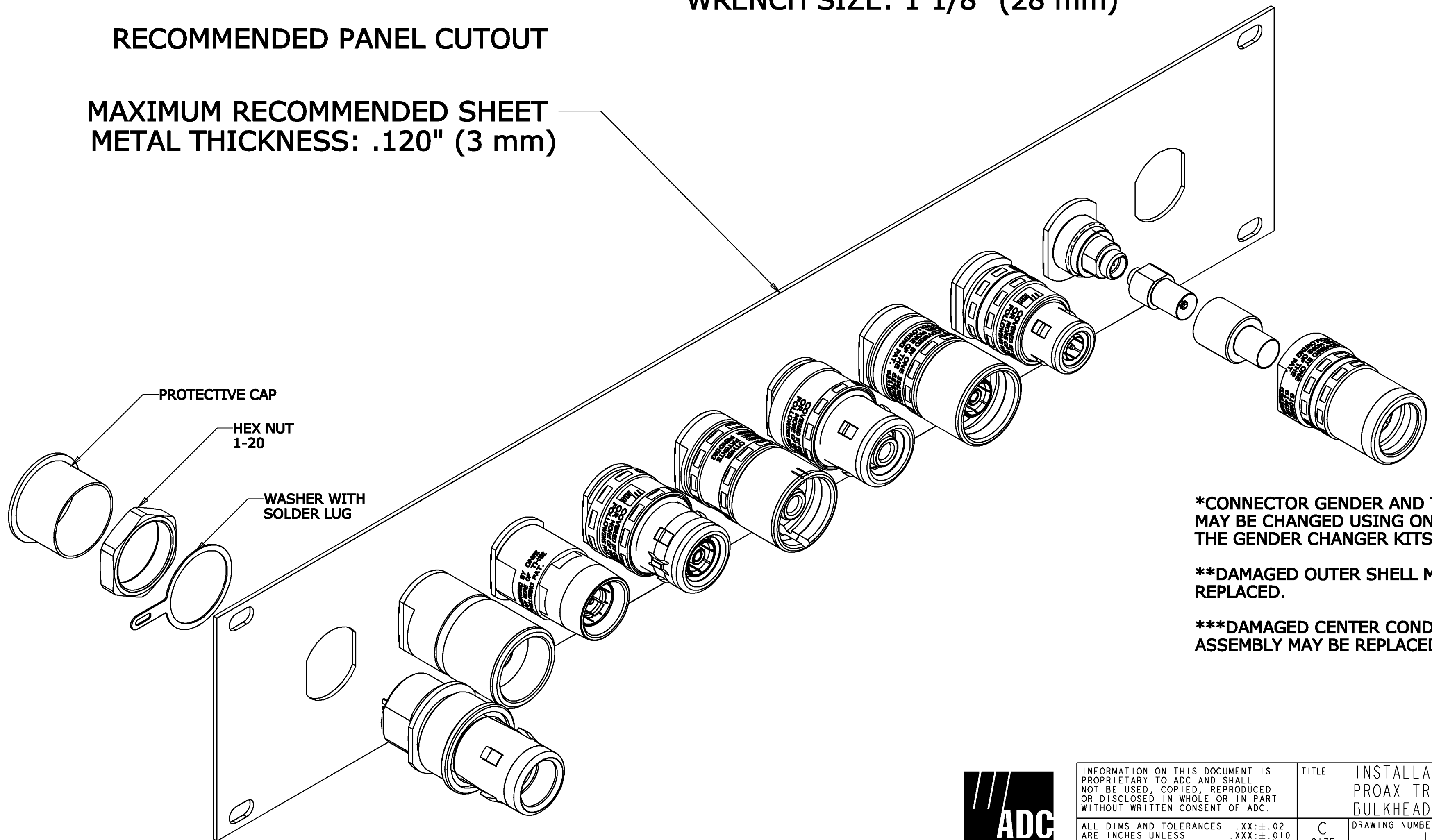
DIMENSIONS IN INCHES
THIRD ANGLE PROJECTION



WRENCH SIZE: 1 1/8" (28 mm)

RECOMMENDED PANEL CUTOUT

MAXIMUM RECOMMENDED SHEET METAL THICKNESS: .120" (3 mm)



***CONNECTOR GENDER AND TYPE MAY BE CHANGED USING ONE OF THE GENDER CHANGER KITS.**

****DAMAGED OUTER SHELL MAY BE REPLACED.**

*****DAMAGED CENTER CONDUCTOR ASSEMBLY MAY BE REPLACED.**



INFORMATION ON THIS DOCUMENT IS PROPRIETARY TO ADC AND SHALL NOT BE USED, COPIED, REPRODUCED OR DISCLOSED IN WHOLE OR IN PART WITHOUT WRITTEN CONSENT OF ADC.		TITLE INSTALLATION DRAWING PROAX TRIAX CONNECTORS BULKHEAD / CAMERA-MOUNT	
ALL DIMS AND TOLERANCES ARE INCHES UNLESS OTHERWISE SPECIFIED	.XX:±.02 .XXX:±.010 ANGULAR:±2°	C SIZE	DRAWING NUMBER 1272638
DO NOT SCALE DRAWING	ENGR: A. KHEMAKHEM DWN: D. SAND	SHT. 5 OF 5	

**DIMENSIONS IN INCHES
THIRD ANGLE PROJECTION**