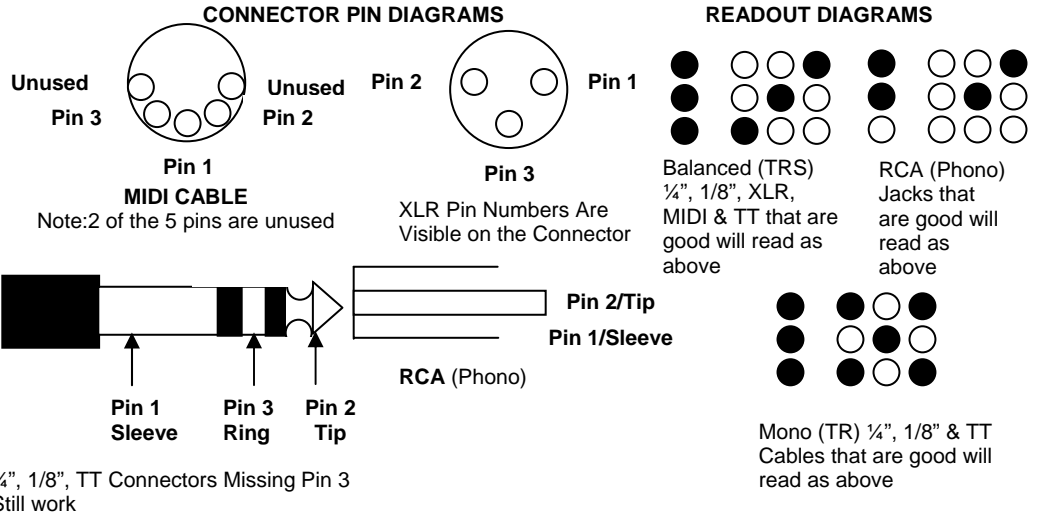




ProAud1 Cable Tester



CABLE TEST MODE

To use Cable Test Mode, move the on switch to the Cable Test position. Insert one end of a cable into any OUT jack, and the other end into any in jack. The ProAud1 shows you which input pins are connected to each output pin by lighting its LED in the Cable Wiring Display. The Grounded Shield LED will also light if the XLR OUT plug pin 1 is internally connected to the plug housing (this is optional on some XLR cables).

TESTING FOR INTERMITTENT CONNECTIONS

While in Cable Test Mode, pressing Reset stores the current Cable Wiring Display and clears the Intermittent LED's. If any change occurs in the wiring displayed, the intermittent LED corresponding to any Input pin which had the change will light and stay lit until the next time Reset is pressed. In this way you'll know if you have an intermittent cable even if it was intermittent for such a small period of time that you may have not seen the LED flicker.

TEST TONE MODE

To generate test tones through the OUT jacks, move ON switch to the Test Tone position. A test tone is placed on the Pin2/ tip signal of all OUT jacks. The level can be set to either +4dBu, -10dBV, or MIC level (approximately -50dBV). Note that battery voltage level will affect the accuracy of the test tone output level. The Test Tone Mode is intended for use in checking audio system integrity and the rough setting of signal levels only and not for use as a voltage standard.

1kHz / 440Hz Selection: Pressing Rest during Test Tone Mode will switch the test tone frequency between 1kHz and 440Hz. The selection is indicated by its LED: On = 1 kHz, off = 440Hz. Test tone frequency accuracy is +/- 0.1% and is unaffected.

PHANTOM POWER DETECT

During Test Tone Mode, pins 2 and 3 are monitored for external DC Voltage as commonly supplied to microphones. The Phantom LED's will light at any time the presence of a DC voltage greater than 5 volts is detected.

INSTALLED CABLE TEST MODE

To use Installed Cable Test mode, hold down the Reset button while moving the ON switch to the Cable Test Position. The Power ON LED will blink to indicate the unit is in Installed Cable Mode

1 800 CABLE-IT
800-222-5348