

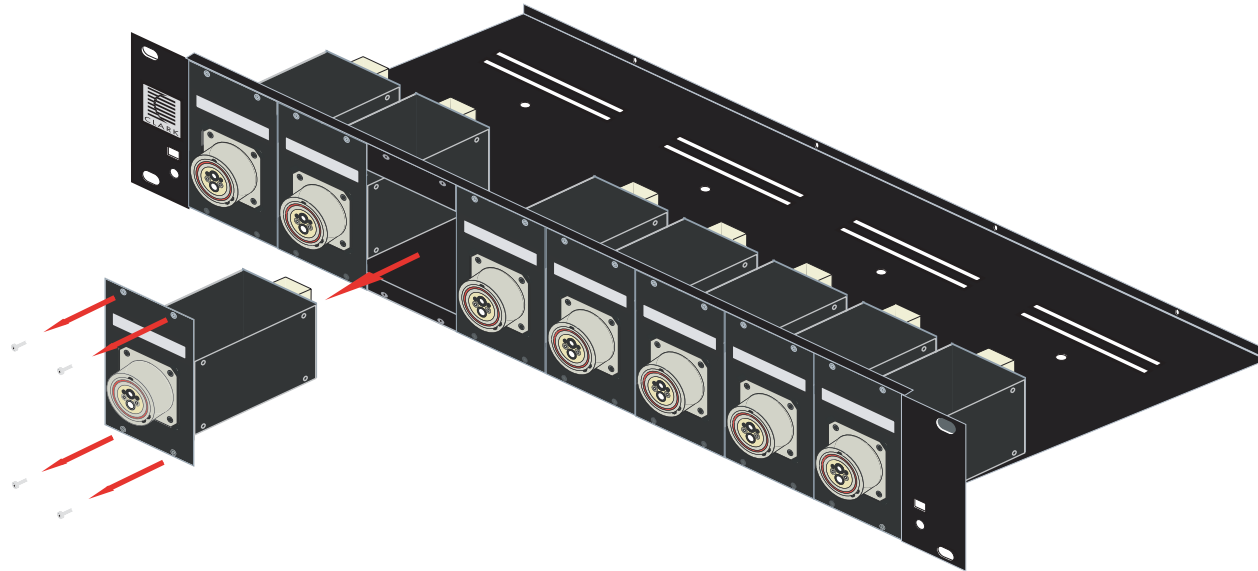


ModBox Series SMPTE 304M

Modular Rack System

Patent Pending

6/8/2009



SMPTE ModBox System Ordering Information



Fully Loaded Panels

Socket Modular Panels

MB-FK-1S	Loaded with One Socket Module
MB-FK-2S	Loaded with Two Socket Modules
MB-FK-3S	Loaded with Three Socket Modules
MB-FK-4S	Loaded with Four Socket Modules
MB-FK-5S	Loaded with Five Socket Modules
MB-FK-6S	Loaded with Six Socket Modules
MB-FK-7S	Loaded with Seven Socket Modules
MB-FK-8S	Loaded with Eight Socket Modules

Plug Modular Panels

MB-FK-1P	Loaded with One Plug Module
MB-FK-2P	Loaded with Two Plug Modules
MB-FK-3P	Loaded with Three Plug Modules
MB-FK-4P	Loaded with Four Plug Modules
MB-FK-5P	Loaded with Five Plug Modules
MB-FK-6P	Loaded with Six Plug Modules
MB-FK-7P	Loaded with Seven Plug Modules
MB-FK-8P	Loaded with Eight Plug Modules

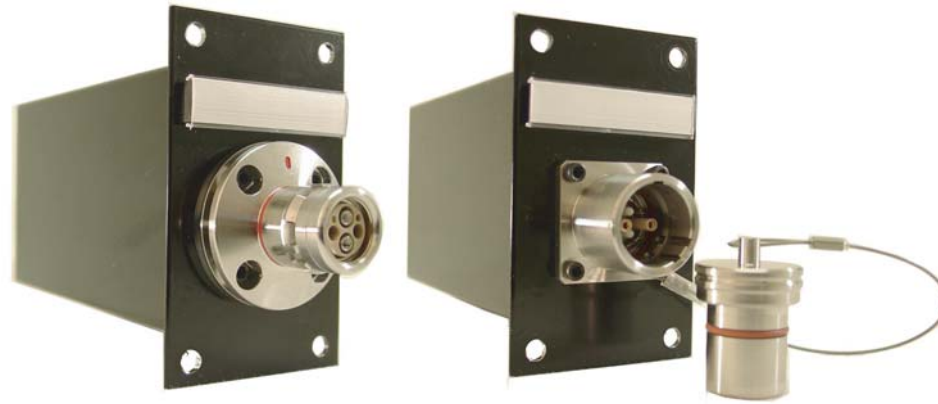
*Add "-D" suffix for optional dust cap covers to be included

*Units with less than eight modules will have blank cover plates in place

*Standard modules come with SC fiber optic connectors unless otherwise specified



SMPTE ModBox System Ordering Information



Individual Components

Frame Kit

MB-FK 2RU Empty Frame Kit with Eight Beaded Bundle Ties

Modules

MB-SM Module with SMPTE 304M Socket (Receptical), Power Jack and SC Fiber Optic Ports

MB-SM-D Module with SMPTE 304M Socket (Receptical), Power Jack and SC Fiber Optic Ports. Includes Dust Plug

MB-PM Module with SMPTE 304M Plug, Power Jack and SC Fiber Optic Ports

MB-PM-D Module with SMPTE 304M Plug (Receptical), Power Jack and SC Fiber Optic Ports. Includes Dust Plug

*Standard modules come with SC fiber optic connectors unless otherwise specified

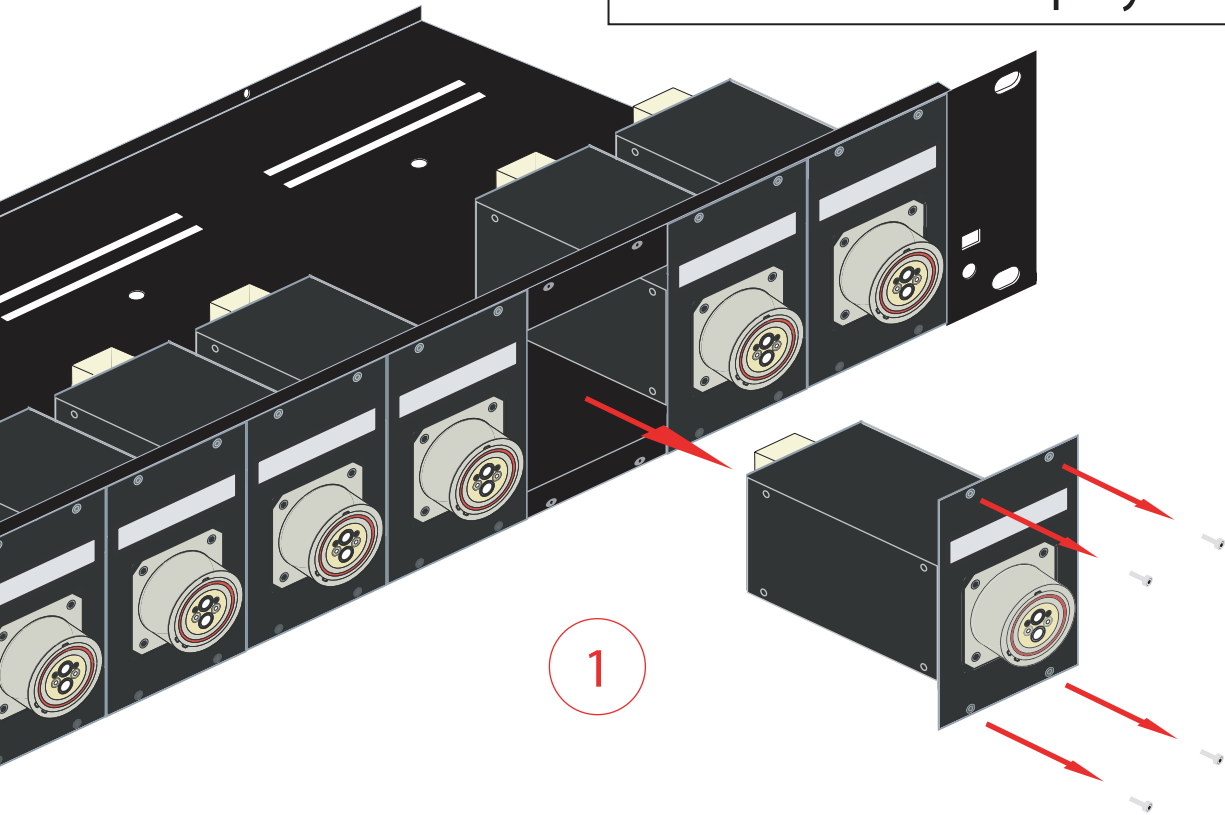
*All modules include power plug mating hardware

Cover Plates

MB-BLANK One Space Blank Cover Plate for MB-FK Frame
(Includes Four Mounting Screws)

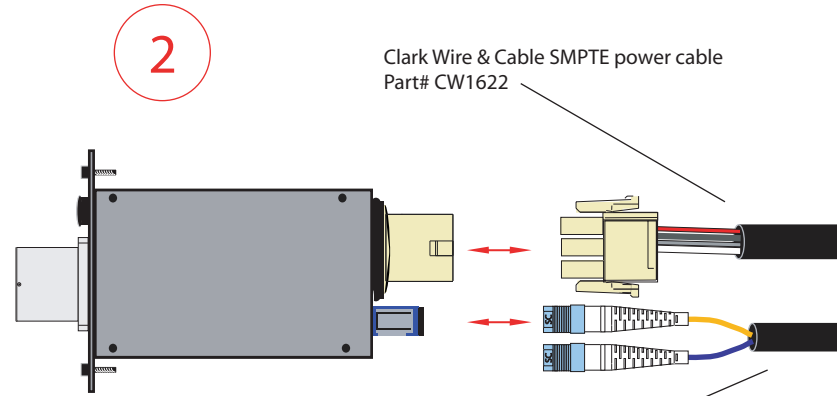


Isometric Step By step View



1

Remove the front mounting screws and pull out module



2

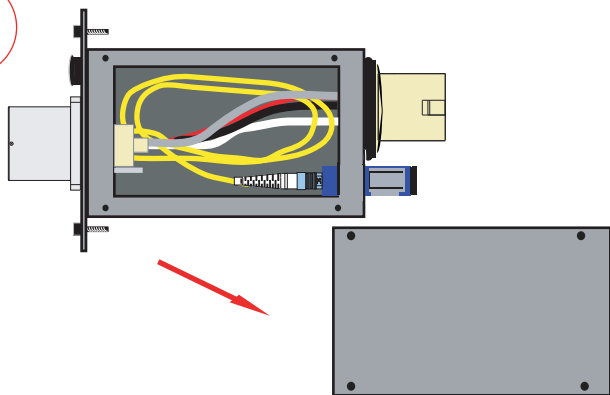
Clark Wire & Cable SMPTE power cable
Part# CW1622

Clark Wire & Cable single mode duplex
fiber optic cable (riser rated)

Part# CWF-D002SMR

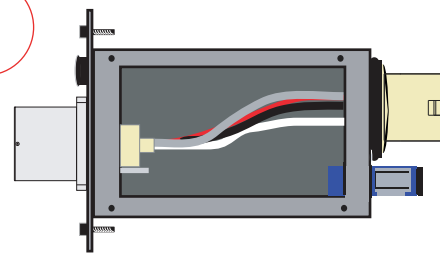
Remove power plug and fiber interconnects from the rear

3



Remove side cover plate

4



Replace worn fiber jumpers

Fiber Replacement Jumpers



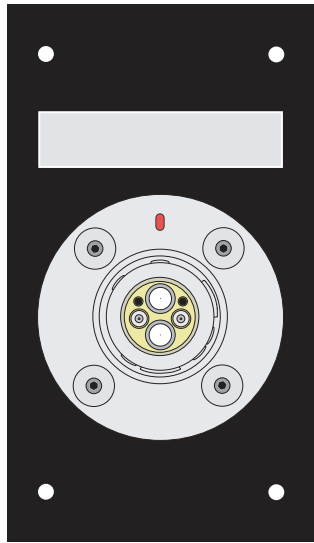
For Socket Module
Part# X-MBC-SSC



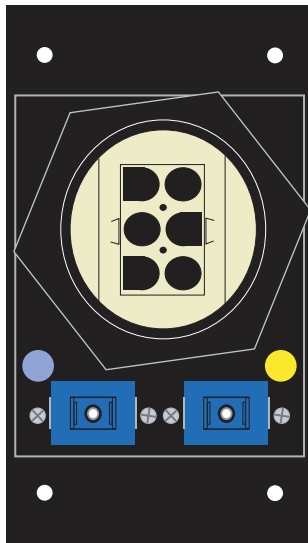
For Plug Module
Part# X-MBC-PSC

Note: ST, LC and FC versions also available

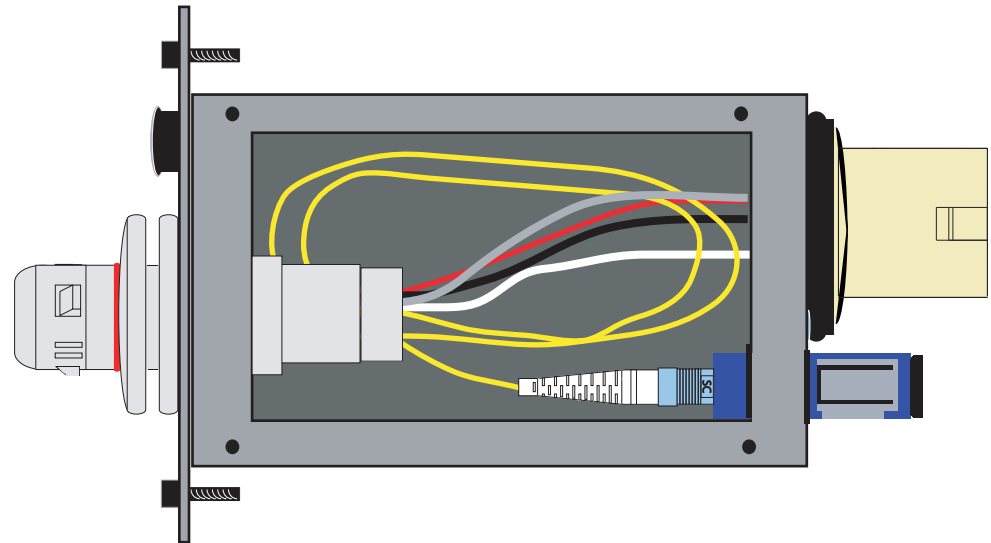
SMPTE Plug Module - Fiber Port: SC



Front View



Rear View



Side View with Cover Plate Removed

Patent Pending



CLARK
WIRE & CABLE

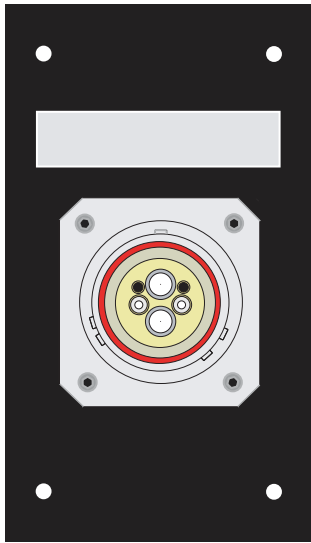
6/4/2009 - C.Lordots

Description:

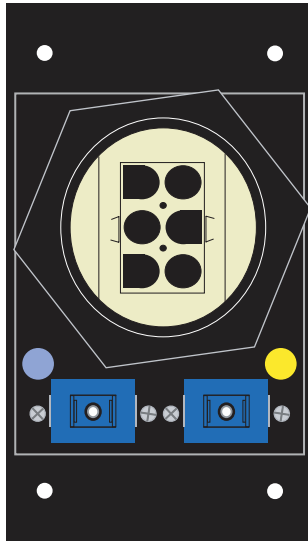
SMPTE Plug Module with SC rear fiber.
Also available in LC, ST and FC .

Part Number: MB-PM

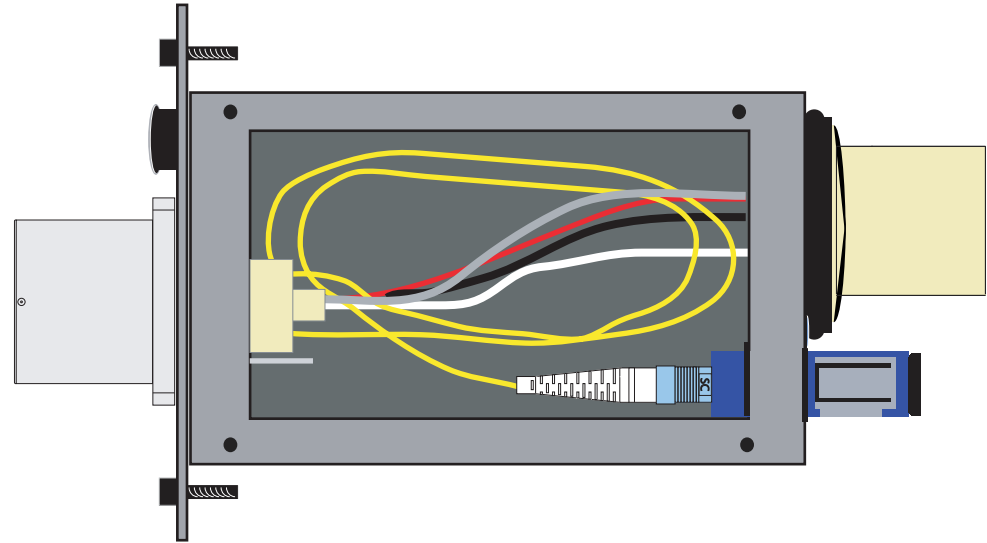
SMPTE Socket (Receptical) Module - Fiber Port: SC



Front View



Rear View



Side View with Cover Plate Removed

Patent Pending



CLARK
WIRE & CABLE

6/4/2009 - C. Lordots

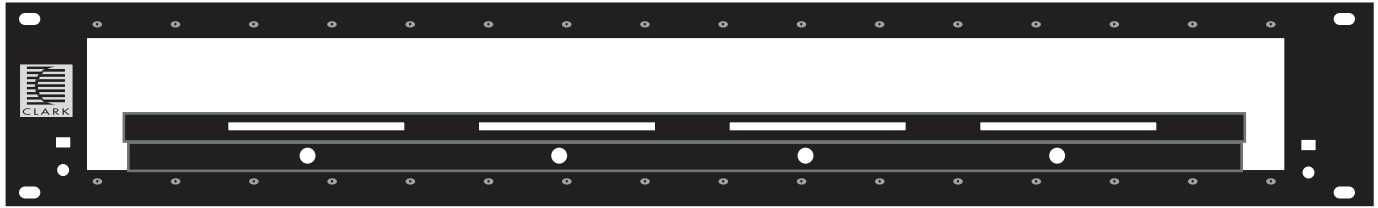
Description:

SMPTE Socket (Receptical) Module with SC rear fiber. Also available in LC, ST and FC .

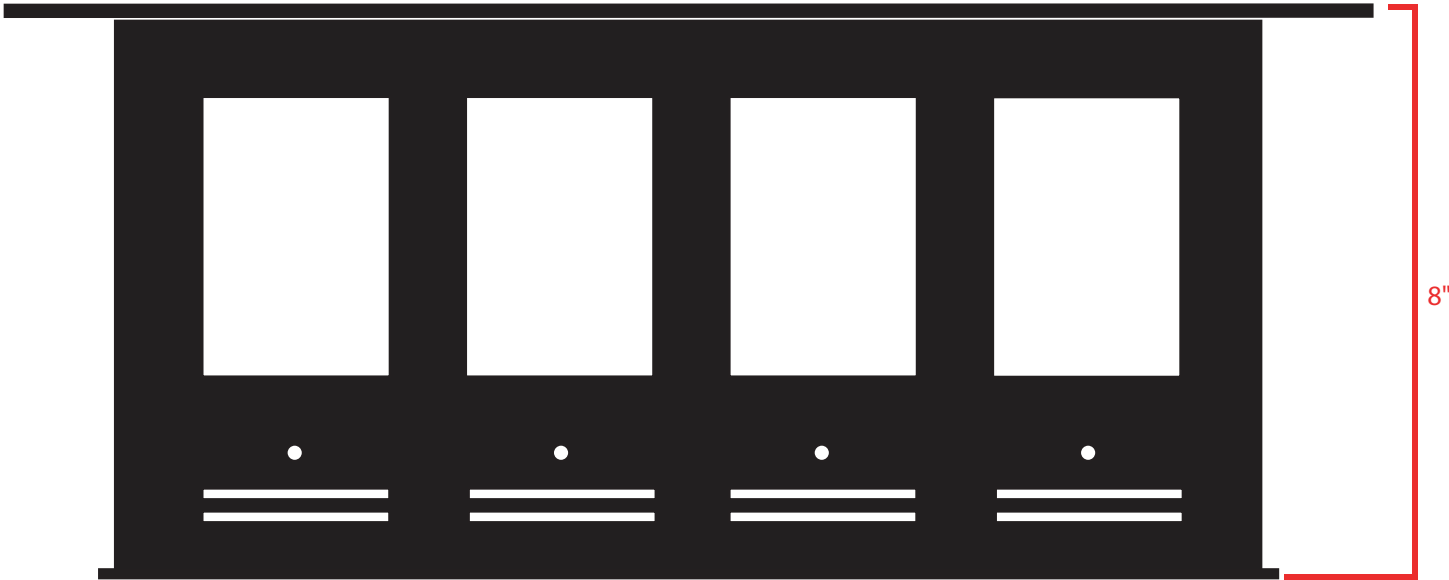
Part Number: MB-SM

ModBox Series Frame Kit

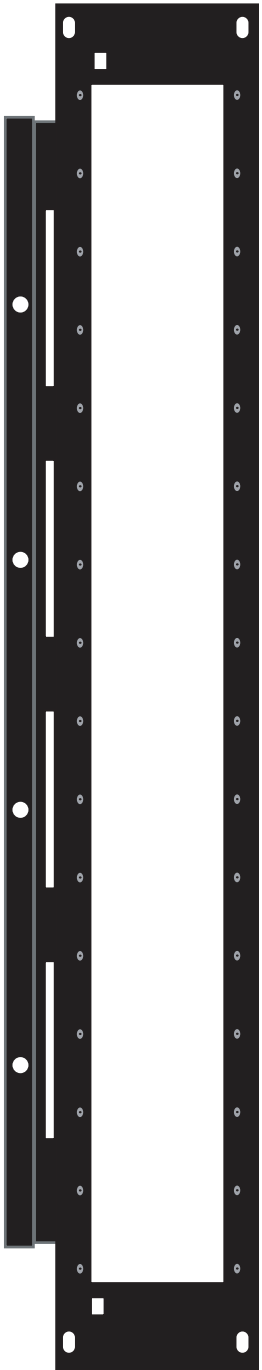
FRONT



TOP



REAR



CLARK
WIRE & CABLE

6/8/2009 - C. Lordots

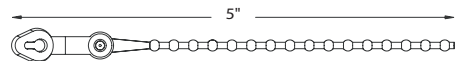
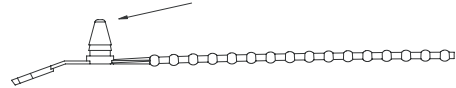
Description:

Frame Kit for ModBox series modules.

3.5" height x 8" total depth.

Includes eight beaded ties for grouping wires.

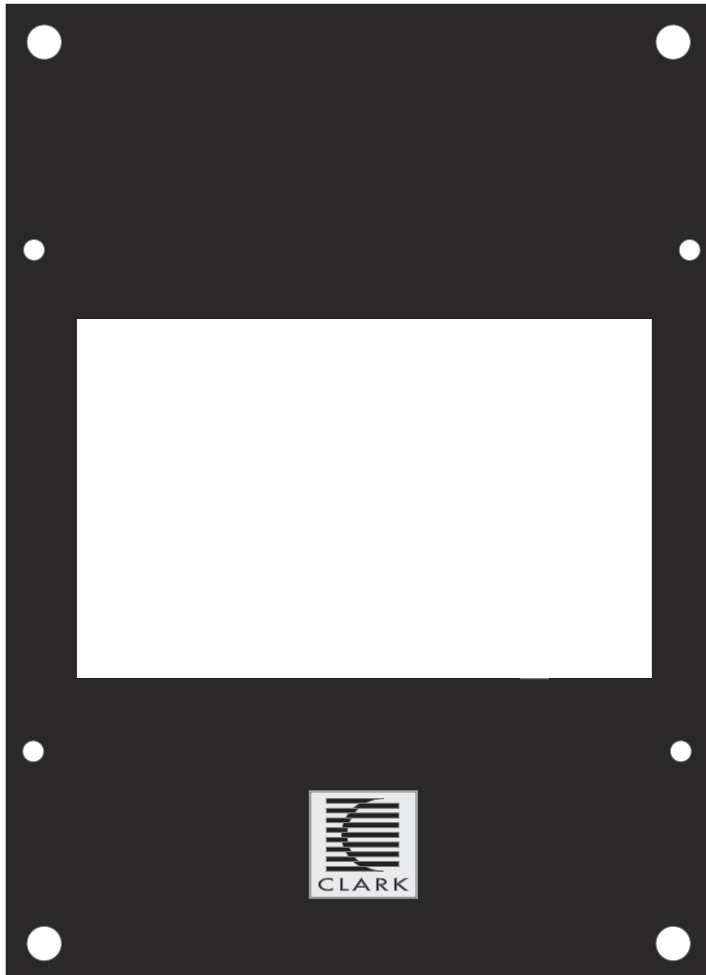
Snaps into the MB-FK frame kit holes on the rear tray



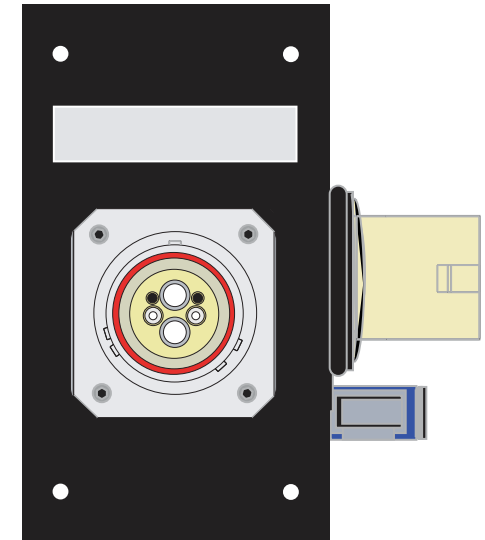
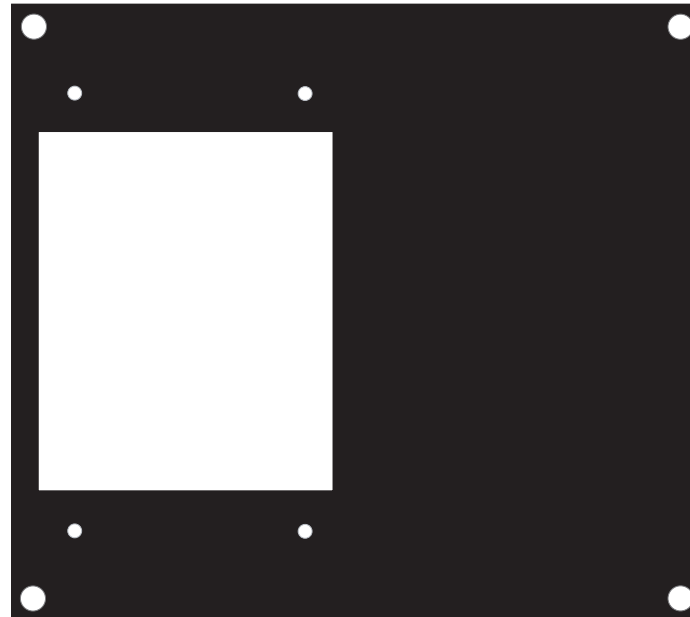


ModBox Series SMPTE 304M
Modular Rack System - Accessories
Patent Pending
6/8/2009

Inner Panel (for EJ866)



Sub-Plate



SMPTE Plug
Module With
Side Mount
Interconnect



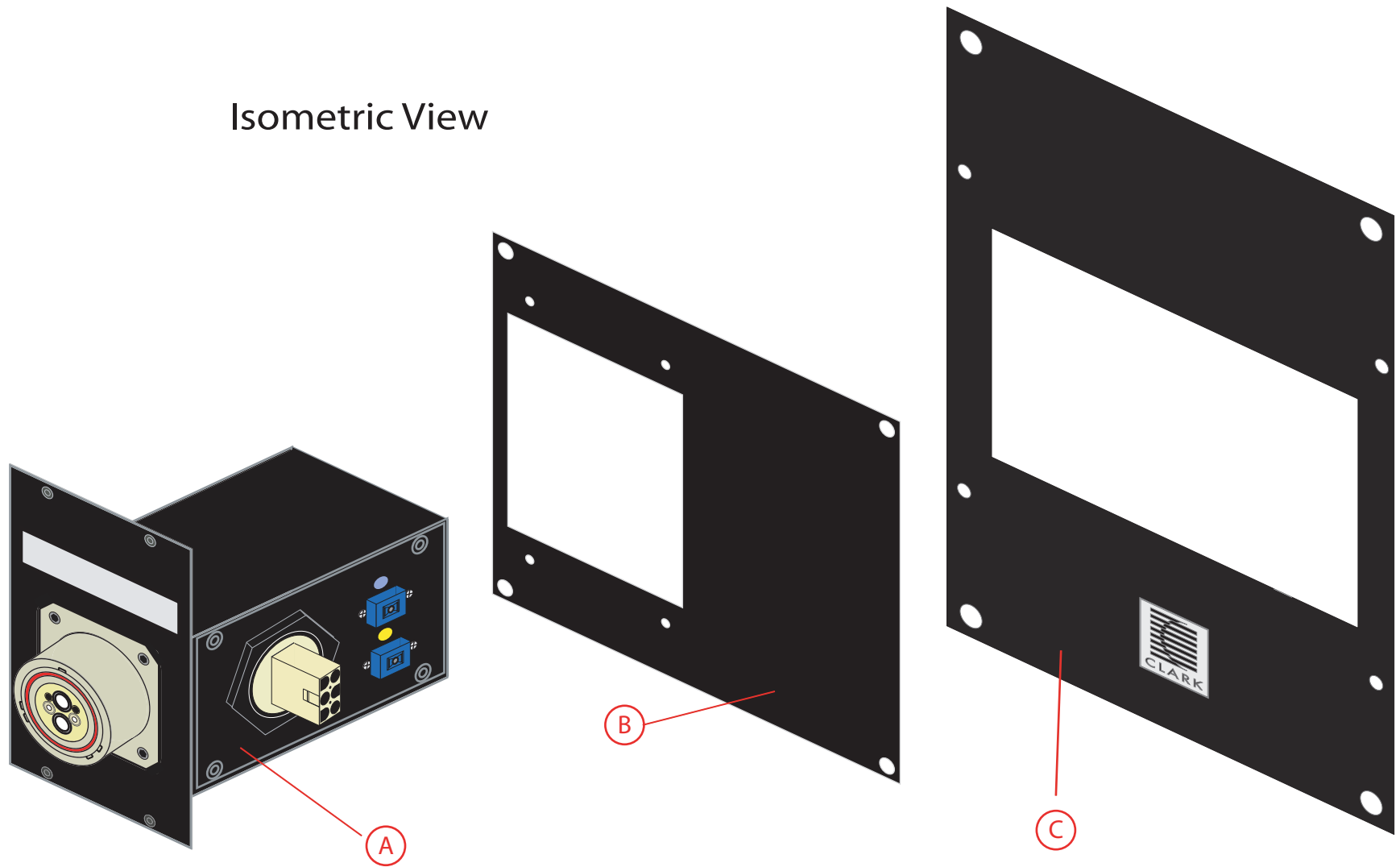
CLARK
WIRE & CABLE

6/2/2009 - C. Lordots

Description:

Clark Wire & Cable inner EJ866 plate
knocked out for Clark SMPTE ModBox
Sub-Plate and module (#MBC-BOX1 & 2
with sidemount interconnects).

Isometric View



CLARK
WIRE & CABLE

6/2/2009 - C. Lordots

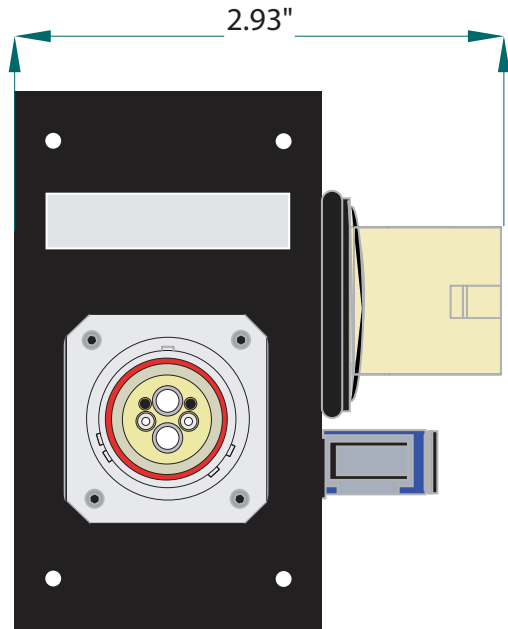
Description:

Clark Wire & Cable inner EJ866 plate knocked out for Clark SMPTE ModBox Sub-Plate and modules with side mount interconnects.

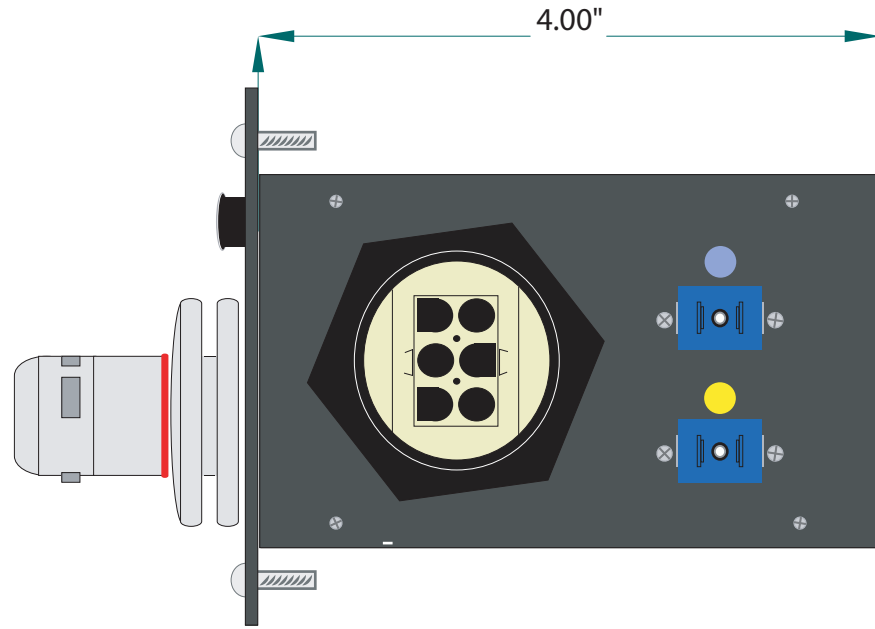
Notes:

- A) SMPTE ModBox with side mount interconnect
- B) Sub-Plate
- C) Inner EJ866 Panel

SMPTE Plug Module With Side Mount Interconnect



Front View



Side View



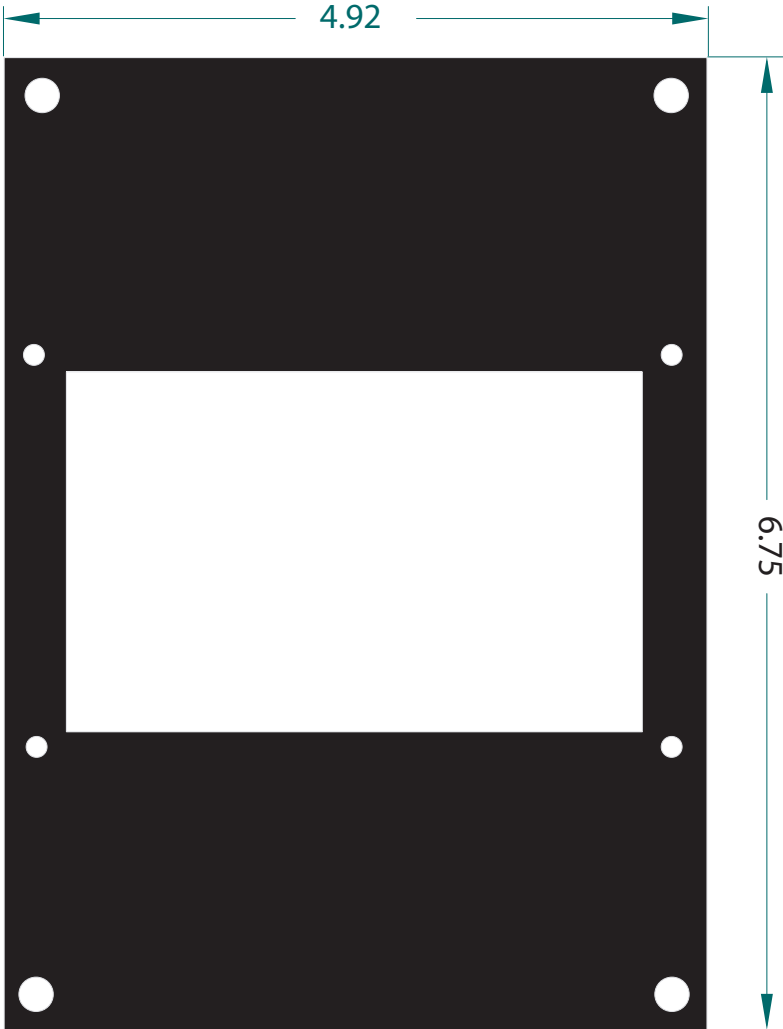
CLARK
WIRE & CABLE

6/2/2009 - C. Lordots

Description:

Clark Wire & Cable inner EJ866 plate
knocked out for Clark SMPTE ModBox
Sub-Plate and module (#MBC-BOX1 & 2).

Inner Panel (for EJ866)



Description:

EJ866 Hammond Inner Panel with
Knockout for Clark SMPTE ModBox
Sub-Plate.

Notes:

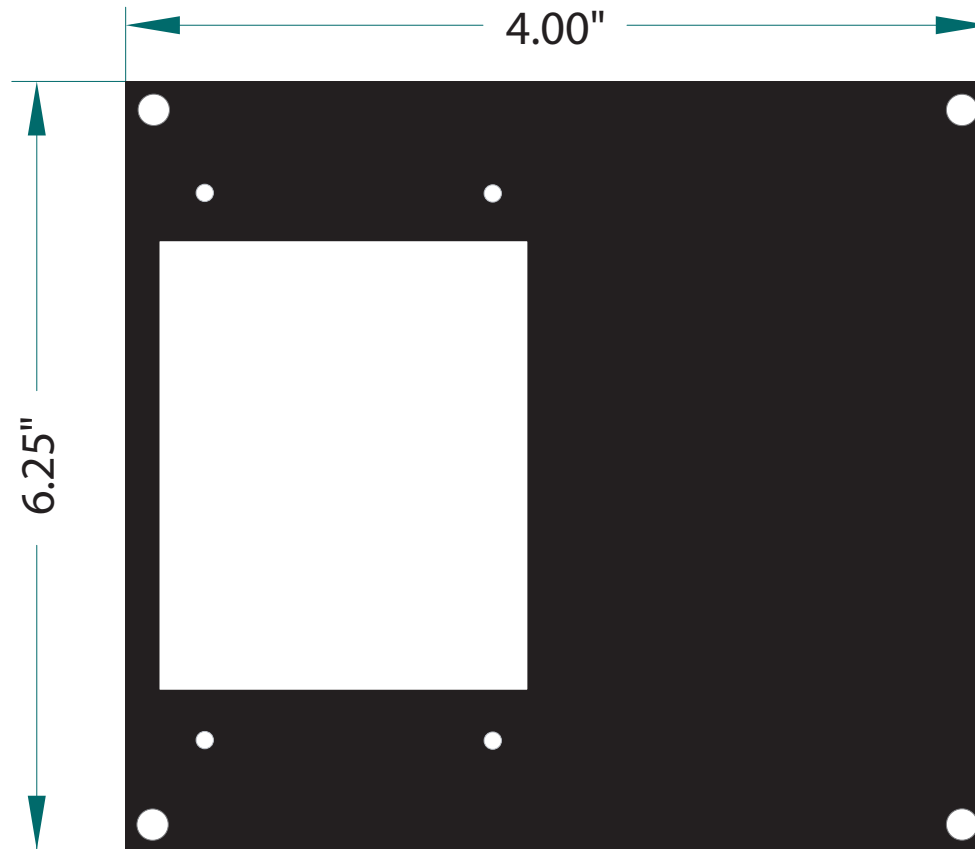
Material: Aluminum
Finish: Black / Anodized



CLARK
WIRE & CABLE

6/2/2009 - C. Lordots

SUB-PLATE



Description:

Clark Wire & Cable inner EJ866 plate knocked out for Clark SMPTE ModBox Sub-Plate and module (#MBC-BOX1 & 2) with side interconnects.

Notes:

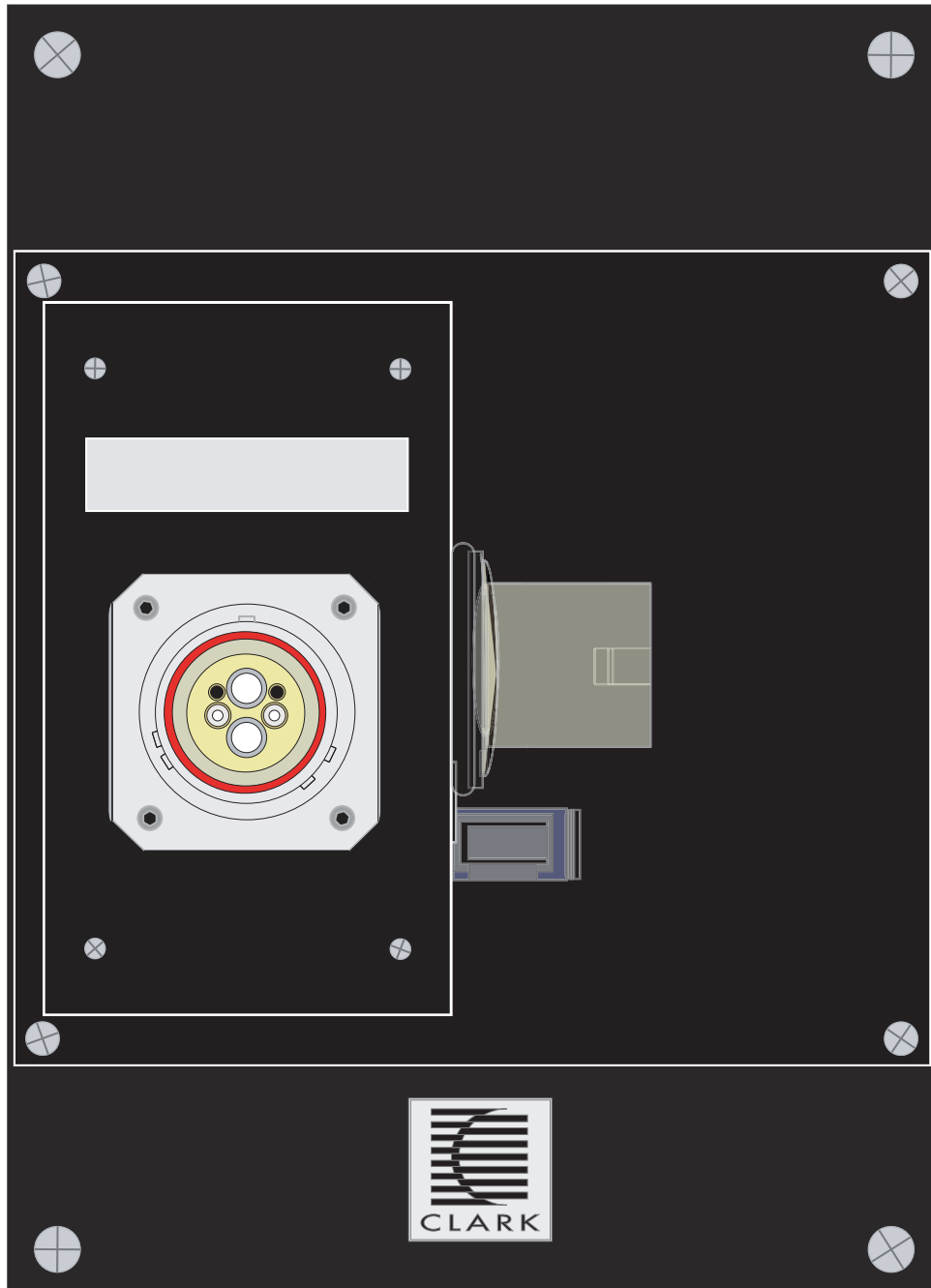
Material: Aluminum
Finish: Black / Anodized



CLARK
WIRE & CABLE

6/2/2009 - C. Lordots

Assembled



CLARK
WIRE & CABLE

6/2/2009 - C. Lordots