

These floor boxes are designed for conference rooms, auditoriums, banquet halls, etc. with carpet, tile or wood flooring over concrete. This floor box provides a practical solution for cable storage while maintaining easy access. The lift off section of the cover allows full access to internal cables and connector plates while a smaller hinged trap-door opens in to create a cable exit.

Before proceeding with the installation please take time to review the drawings on the opposite side of this page.

STEP 1

Locate the finish cover and store it in a safe place. This won't be needed until the carpet is to be laid.

STEP 2

Locate the box complete with the temporary cover. Remove the temporary cover and connect all conduits as required. Reinstall the temporary cover and use the leveling feet to position the box such that the top of temporary cover is flush with the surface of the concrete floor.

Step 3

After the concrete floor is cured remove the temporary cover and install all the cables and connectors as required. Reinstall the temporary cover.

Step 4

Prepare to install the finish cover. Remove the temporary cover and discard it. Place a bead of silicone sealant around the edges of the box (see dwg.). Place the finish cover with carpet flange facing up on the box and secure with the screws and small o-rings supplied (see dwg.).

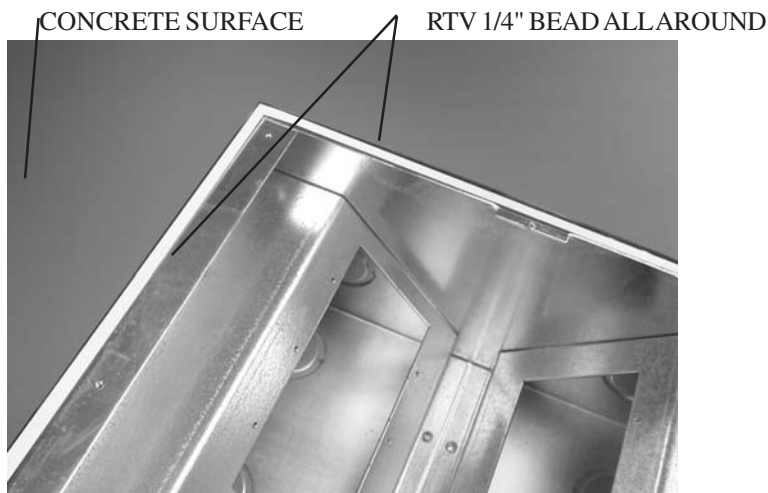
FINISH COVER SCREW AND O RING

**Step 5**

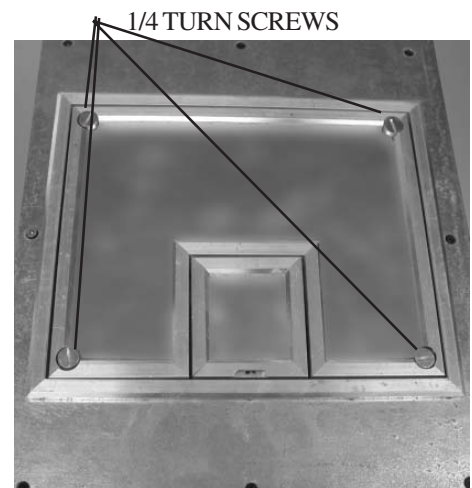
Install the carpet, tile or wood flooring in and around the floorbox carpet flange.

Step 6

Turn the four 1/4 turn screws counter clockwise to remove the access panel. Install the required cables and make the appropriate connections. Open the trap door on the access panel all the way to allow the velcro retaining tabs to touch. Replace the access panel while allowing cables to exit through the trap door opening. Turn the four 1/4 turn screws clockwise to secure the access door. **Make sure all of the screws are completely seated to avoid a "trip" hazard.**



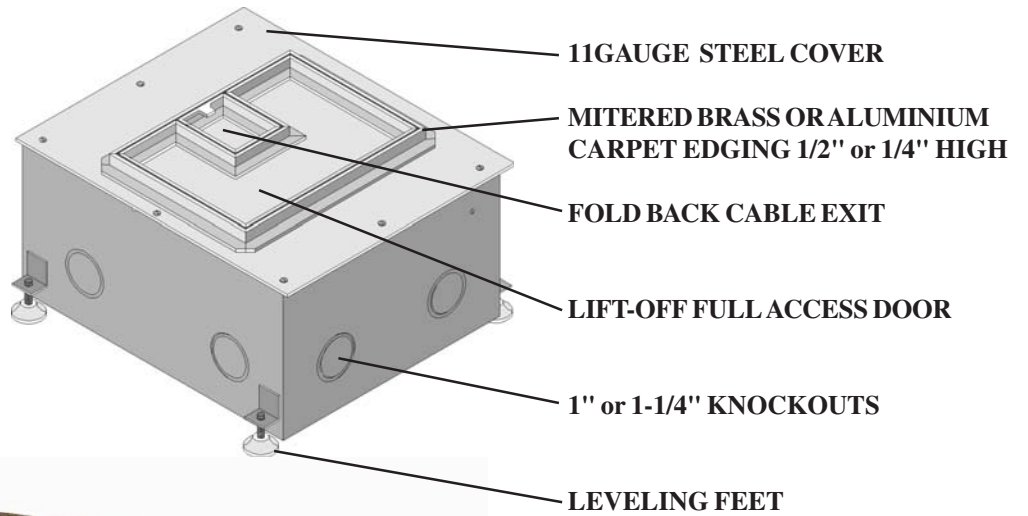
CLOSE UP OF RTV ADHESIVE INSTALLED



CLOSEUP OF 1/4 TURN SCREWS



PICTORIAL OF THE FLOOR BOX



FINISH COVER DETAILING THE FOUR 1/4 TURN SCREWS

TEMPORARY COVER

