

Description

This unique box is designed especially for wooden stage and computer floors. The FL-1500 floor box provides a practical solution for power, audio and video cable termination and connection. Its dual-door design allows full access when making connections yet only leaves a small cable opening during use.

The FL-1500 is offered with three different insert plates. All insert plates come with divided areas for power and audio/video. The audio/video section has a flat removable plate which can be custom made for the contractor or specified by the consultant.

The cover of the the FL-1500 is painted with black or oak sandtex paint.

There are eight knockouts, four on the rear, and four on the bottom. The power section has two knock-

outs, and the audio/video section has four or six depending on the insert.

The FL-1500 is a one piece, all welded design. The cover is manufactured from 1/8" steel plate. This makes for an extremely sturdy and easily installed box. The inserts are removable with just 3 screws for easy installation and connector repair.

SPECIFICATIONS

Size:

Top 13-1/2" X 9-1/2" X 3/16"

Box 11-7/8" X 8" X 6"

Weight: 13 pounds

Knockouts:

Rear 4 either 1" or 1-1/4"

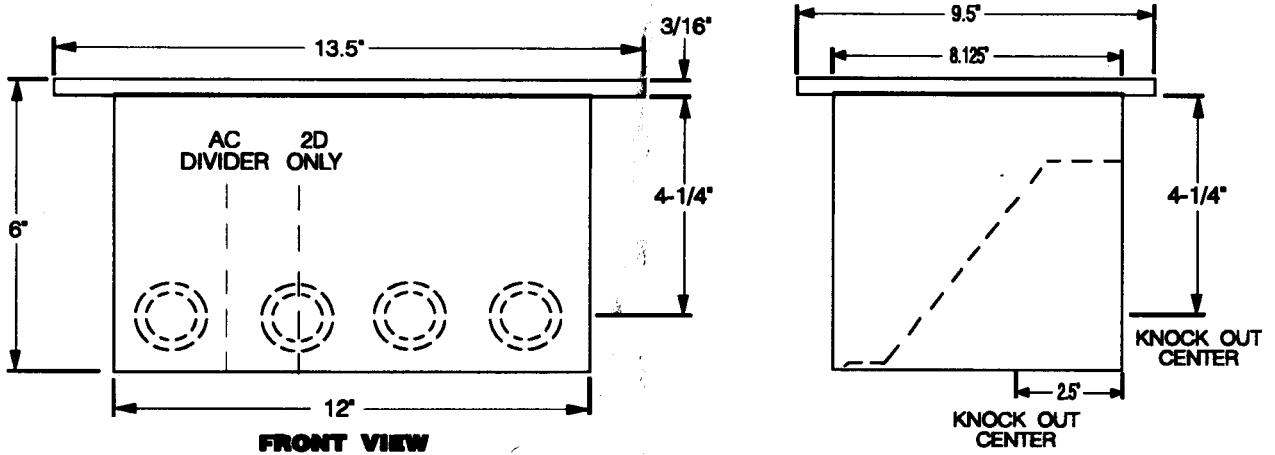
Bottom 4 either 1" or 1-1/4"

Finish:

Black or Oak Sandtex paint

NOTE: For use in wooden construction, or raised floors.

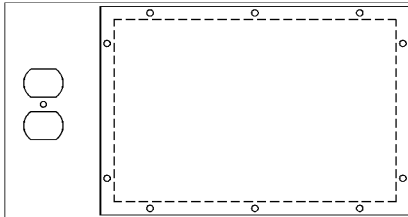
INSTALLATION OF THE FL-1500 FLOOR BOX



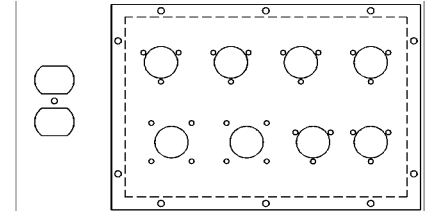
- Cut out size is 12' X 8.125'
- Opening should be rabbeted 3/16" deep; for finished wood floors only. NOTE: the flanges are different sizes; use box to mark edges.
- Mount with four flat head wood screws.
- Insert bracket with three #6-32 screws (supplied).

INTERNAL BRACKET OPTIONS FOR THE FL-1500

FL-1500



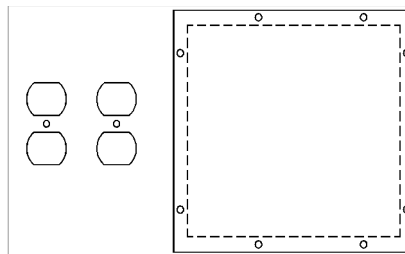
FL-1500-BA



The FL-1500 is shipped with an internal bracket. This bracket is divided into two sections. One for a duplex receptical and the other is a removable flat plate. The usable area for mounting connectors is 5.25" X 8.5"

The FL-1500-BA is the same as the FL-1500 but it has a prepunched plate. The plate is punched for 6 switchcraft C[*]F or M XLR connectors and 2 Neutrik Speakon connectors.

FL-1500-2D



The FL-1500-2D has a divided bracket for two duplex recepticals and a removable flat plate. The usable area for mounting connectors is 5.25" X 6". NOTE: 2 of the 8 knockouts can not be used with this bracket.