

- Conforms to EIA/TIA 568 A & 568 B Wiring Standards
- Cable Strain Relief Backshell
- Meets EMI Requirements for NAVY/ARMY Applications
- Meets or Exceeds Mil-C-83723 Environmental Requirements
- Designed to Exceed Severe Shock, Vibration, Humidity, and Temperature Cycling Conditions
- Meets/Exceeds IP-67 Rating
- Conforms to Existing 10/100/1000 Base-T Networks



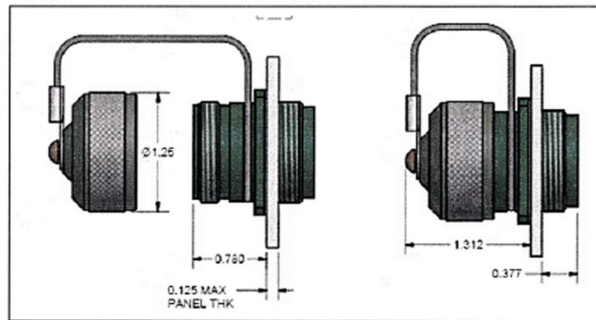
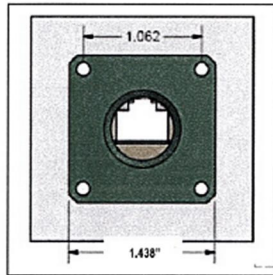
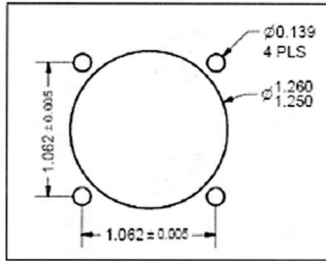
Applications:

DATA, VOIP, IPTV in Harsh Environments
Field Use, Staging Applications, Rental Houses

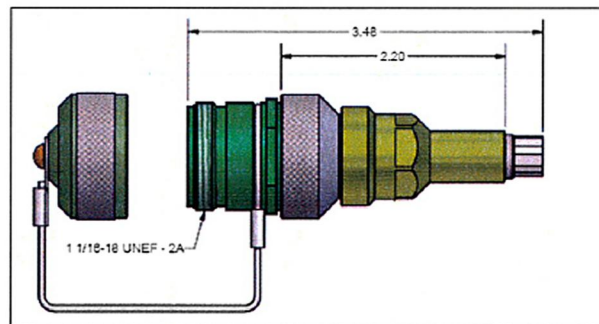
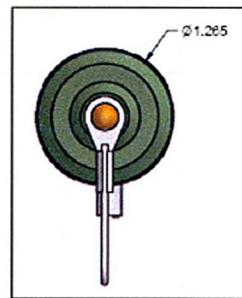
Features:

- Shock/Vibration Resistant
- Sealed with Dust Cover Removed
- No Tools Required
- RoHS Compliant

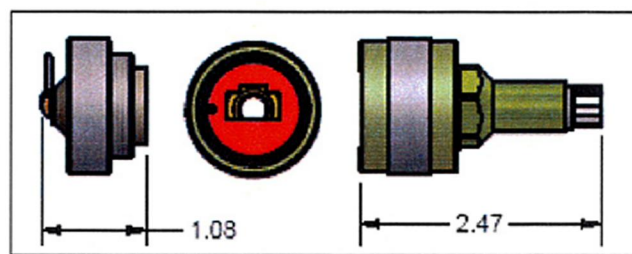
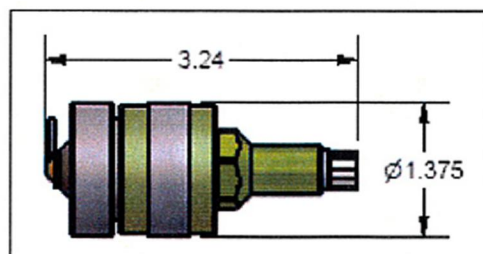
FLANGE MOUNT RECEPTACLE



IN-LINE RECEPTACLE



RJ45 PLUG



Part #

RJ45J-HD

RJ45J-HDPM

RJ45J-HDDC

RJ45P-HD

RJ45P-HDPM

RJ45P-HDDC

Description

DataTac RJ45 Jack (Inline with Dust Cover)

DataTac RJ45 Panel Mount Jack (with Dust Cover)

RJ45 Dust Cover (Receptacle)

DataTac RJ45 Plug (Inline with Dust Cover)

DataTac RJ45 Panel Mount Plug (with Dust Cover)

RJ45 Dust Cover (Plug)